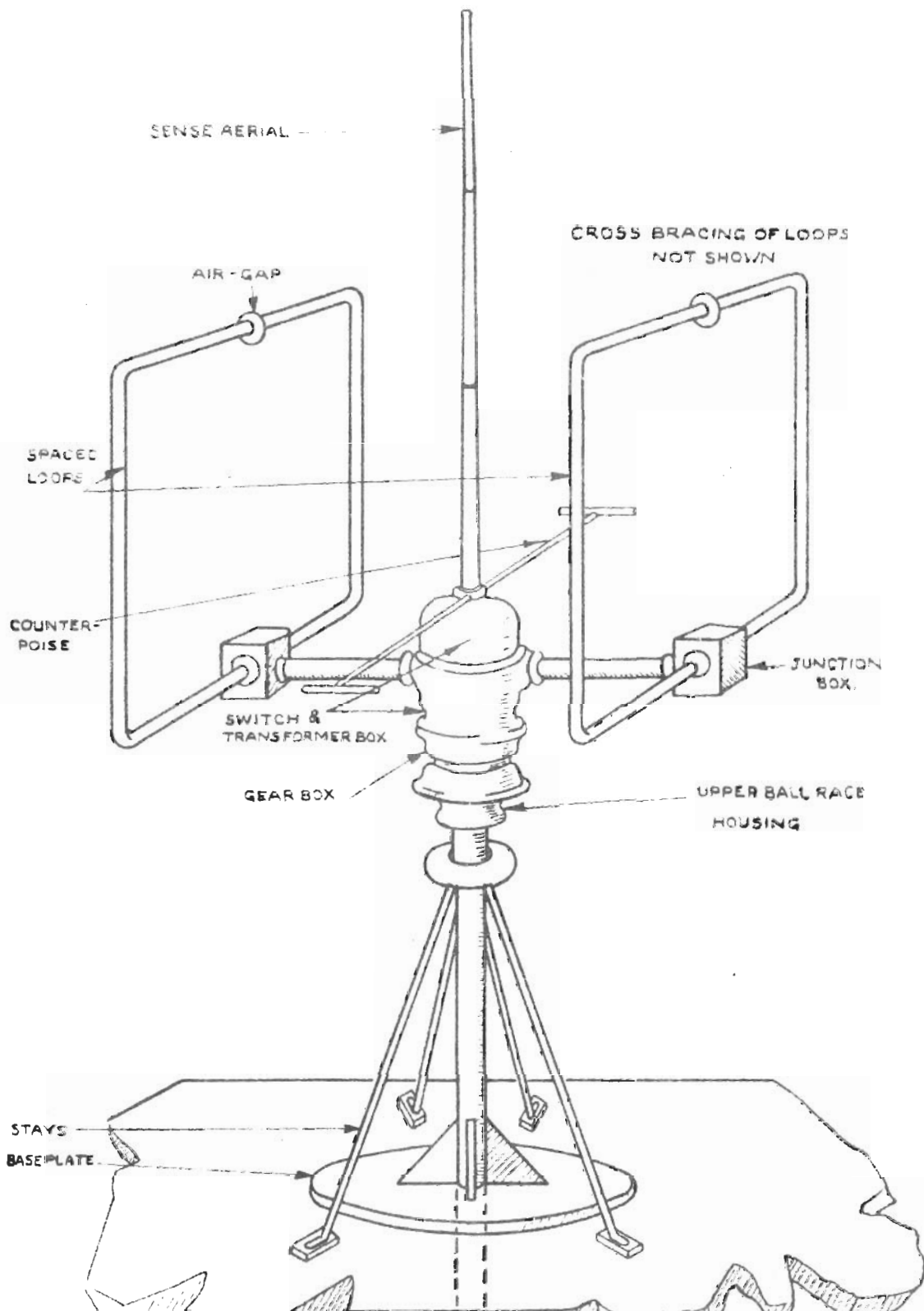
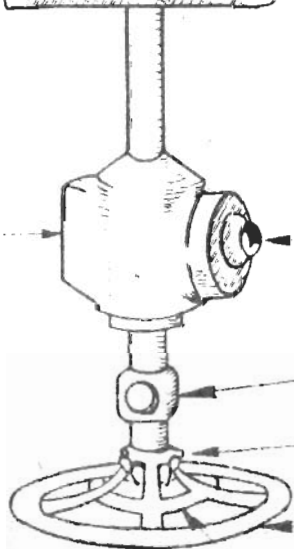


# OUTFIT RH 2. GENERAL LAY OUT.



H.F. & DIAL LIGHT  
SLIP RING BOX  
(INCLUDES LOWER  
BALL RACE).



DIAL BEARING  
INDICATOR.

TUNING CONTROL

4 SMALL KNOBS  
RANGE CONTROL

HAND WHEEL

OPERATIONAL KNOB  
UNDER HAND WHEEL.